

# HMF 270-K



**WEST-TRANS**  
EQUIPMENT & SERVICE



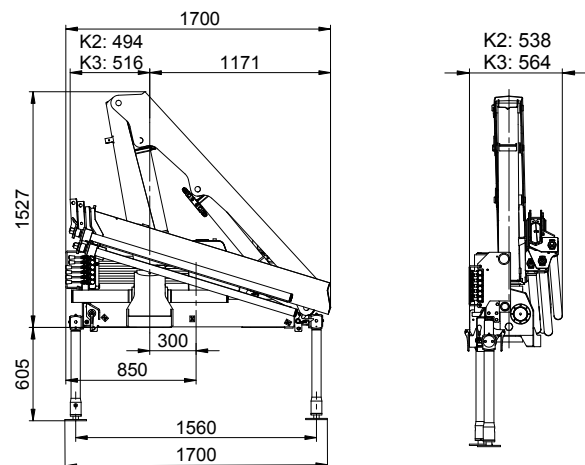
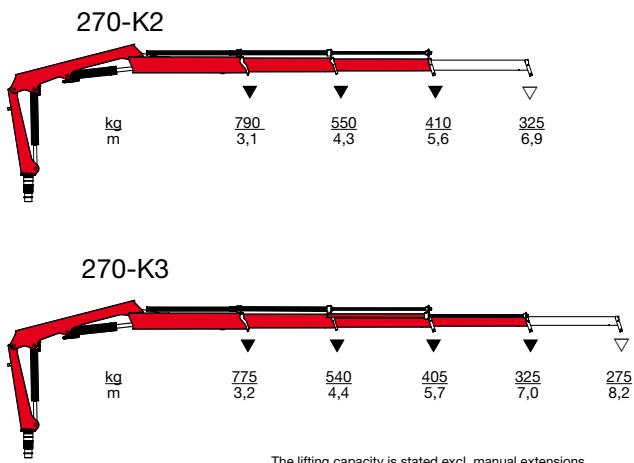
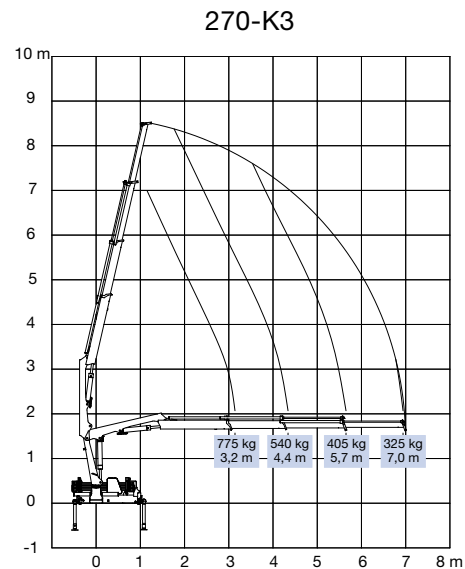
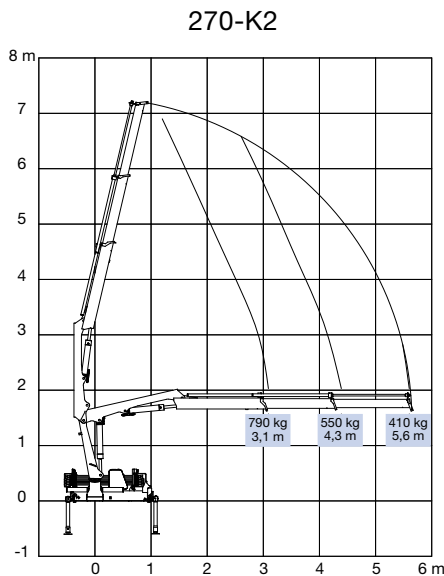
- power to lift.

# HMF Knuckle Boom Loader 270-K

## Fast and easy to handle

- Very compact installation with a long reach.
- The loader has a low tare weight, which gives an improved payload on the vehicle.
- Suitable for many different purposes thanks to optimized boom geometry.
- Available with two or three hydraulic extensions.
- Reliable and sturdy design.
- Available with radio remote control as an option.
- Available with 2 extra valves for grab and rotator in the K2 version.

| Loading group B3                 | 270-K2 | 270-K3 |      |
|----------------------------------|--------|--------|------|
| Load moment                      | tm     | 2.5    | 2.4  |
| Hydraulic reach                  | m      | 5.6    | 7,0  |
| Slewing torque                   | kgm    | 390    | 390  |
| Slewing angle                    | °      | 370    | 370  |
| Height above chassis             | mm     | 1527   | 1527 |
| Width, folded, standard          | mm     | 1700   | 1700 |
| Width, folded, extra             | mm     | 2000   | 2000 |
| Length of base, no extra valves  | mm     | 538    | 564  |
| Stabilizer spread, standard      | mm     | 3000   | 3000 |
| Stabilizer spread, long          | mm     | 3900   | 3900 |
| Weight excl. stabilizers         | kg     | 386    | 421  |
| Weight of stabilizers, standard  | kg     | 59     | 59   |
| Working pressure                 | MPa    | 19.0   | 19.0 |
| Pump performance                 | l/min  | 12     | 10   |
| Power consumption                | kW     | 4      | 3.5  |
| Oli tank capacity, separate tank | l      | 15     | 15   |



**WEST-TRANS**  
EQUIPMENT & SERVICE

**NSW** Unit A, 9 Cunneen Street, Ph: (02) 4587 7411  
Mulgrave NSW 2756 E: sales.nsw@west-trans.com.au

**VIC** 54 Venture Drive, Ph: (03) 9325 1114  
West Sunshine VIC 3020 E: sales.vic@west-trans.com.au

**WA** 71 Barberry Way, Ph: (08) 9494 2929  
Bibra Lake WA 6163 E: sales.wa@west-trans.com.au

**QLD** Ph: 0411 244 717 E: sales.qld@west-trans.com.au

[www.west-trans.com.au](http://www.west-trans.com.au)

We reserve the right to introduce improvements and modifications



Højbjerg Maskinfabrik A/S • Oddervej 200 • DK-8270 Højbjerg  
Tel.: +45 8627 0800 • Fax: +45 8627 0744 • info@hmf.dk

[www.hmf.dk](http://www.hmf.dk)